



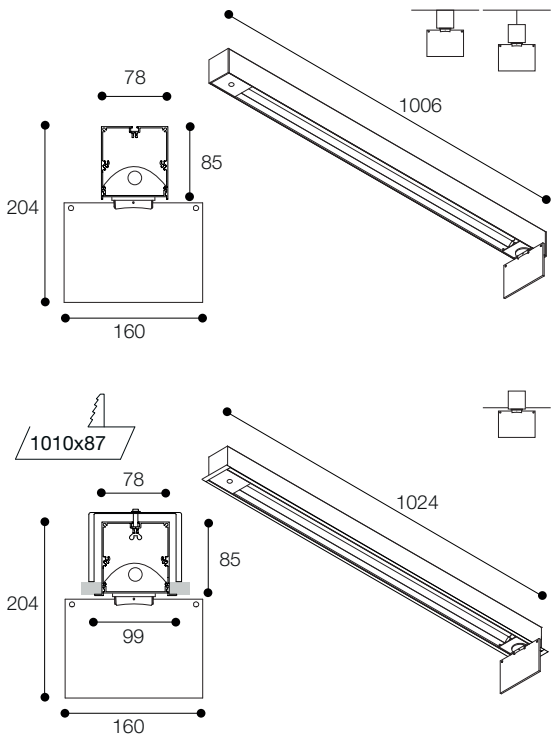
Datasheet

UV-C dissinfecting unit



TRAZZO SALUZ UV-C dissinfecting unit. For surface, suspended or embedded ceiling mounting (see references below). Made on extruded aluminium of 1000mm length. Incorporates an UV radiation source (254nm) that acts as a germicide for dissinfection and sterilization.

INSTALLATION	REF.	W	COLOUR	L(mm)	h
	T7AUVC075B	1x75W	○	1006	2,5
	T7AUVC075N	1x75W	●	1006	2,5
	T7AUVC075G	1x75W	●	1006	2,5
	T7SUV075B	1x75W	○	1006	2,5
	T7SUV075N	1x75W	●	1006	2,5
	T7SUV075G	1x75W	●	1006	2,5
	T7EUV075B	1x75W	○	1024	2,5
	T7EUV075N	1x75W	●	1024	2,5
	T7EUV075G	1x75W	●	1024	2,5



Please take into account that this type of technology can be harmful to people or animals. **It is scientifically proved that accidental high exposure to high levels of UV radiation of UV-C lamps can cause eye and skin problems in humans.** The room should be empty at all times when TRAZZO SALUZ UV-C is working.

This luminaire has the following elements:

- UV-C radiation source
- Acoustic warning (80Db)
- Light warning to initiate dissinfection
- Presence detector (6m diameter detection area)
- It does not include diffuser for a better efficacy. **UV-C radiation can be filtered with almost every material. Conventional materials like glass, polycarbonate or metacrilates can completely filter the radiation.**

Once the luminaire receives power supply, the acoustic and luminous warning will be on for 1 minute, announcing the start of the radiation. Afterwards, the luminaire will start dissinfecting within its area of dissinfection (see the attached table). As long as the luminaire is working, the luminic sign will be on and the acoustic warning will be on. As a safety measure, the presence detector will immediately prevent the luminaire from working in case presence is detected within its range of action. The system will be back on 30 seconds after the presence is no longer detected.

It is possible to incorporate a timer to the system.

Dissinfection table

Installation height	Dissinfection time	Dissinfection area	Number of Saluz® UV-C fittings	
			Dissinfection 90%	99,9%
	60 min.	Up to 30 m²	1x	1x
		Between 30 y 80 m²	1x	2x
	30 min.	Up to 30 m²	1x	1x
		Between 30 y 80 m²	1x	3x
	15 min.	Up to 30 m²	1x	2x
		Between 30 y 80 m²	1x	4x

**UV-C RISK GROUP 3 (EN 62471)**

**WARNING,** This product radiate UV-C radiations. Avoid exposure to eyes and skin without protection.

Follow the installation instructions and the user manual.

Orientative data. Ask for a complete study to [proyectos@normagrup.com](mailto:proyectos@normagrup.com) · The manufacturer reserves the right of modifying the design and / or the technical specifications.

Headquarters

Parque Tecnológico de Asturias. C/ Ablanal, 1  
33428 Llanera (Asturias).  
España  
[normagrup.com](http://normagrup.com)